

SERIES 60P

Dynapar™ brand

Heavy Duty Rotopulser[®]

Key Features

- Classic Mill-Duty Foot or Face Mount Design
- MS Connector or 1/2" Conduit Entry
- Unbreakable Code Disc



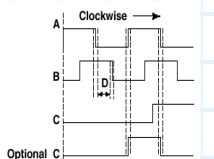
SPECIFICATIONS

ELECTRICAL

Power Requirements: 5 to 15 VDC max.
 115 mA max. plus load requirements
 Output: TC1428 Differential Line Driver,
 40 mA Sink/ Source
 Frequency Response: 50 kHz
 Minimum Free Path: Between any A and B
 transition (Distance D) will not be less than
 12.5% of one full electrical cycle. This
 includes effects of jitter, phase and
 symmetry shifts.
 Mating Connector: 10- pin: style MS3106A- 18- 1S,
 Dynapar Part No. MCN- N6

ELECTRICAL OUTPUT

Note: Signal C (Marker) is low for the first 180° of shaft rotation clockwise (as viewed from shaft end), and is high for the next 180°.



ELECTRICAL CONNECTIONS

Single-Ended Output

Function (If Used)	Cable #14002090010* 6 PIN Single-Ended		Twisted Pairs Cable #14004190010* 10 PIN Differential		Terminal Strip Connector No.
	Pin	Color	Pin	Color	
Signal A	B	RED	B	RED	1
Signal Ā	-	-	G	BLK	12
Signal B	D	BLU	D	BLU	3
Signal B̄	-	-	H	BLK	11
Signal C (Marker)	A	GRN	A	GRN	4
Signal C̄	-	-	I	BLK	10
+V	E	WHT	E	WHT	5
Common	C	BLK	C	BLK	2
Shield	F	SHIELD	F	SHIELD	6
Not Used	-	-	J	-	7, 8, 9

*This is a mating connector/cable assembly described in the Encoder Accessories section of this catalog. Color-coding information is provided here for reference.

Dual Isolated Output

Function (If Used)	Code 4 is K or L			Code 4 is M*	
	6 PIN Primary	10 PIN Primary	7 PIN Secondary	10 PIN Primary	10 PIN Secondary
Signal A	B	B	A	B	B
Signal Ā	-	G	C	G	G
Signal B	D	D	B	D	D
Signal B̄	-	H	E	H	H
Signal C	A	A	(No Marker)	-	(No Marker)
Signal C̄	-	I	(No Marker)	-	(No Marker)
Primary Power	E	E	D	E	E
Primary Common	C	C	F	C	C
Secondary Power	-	-	-	-	J
Secondary Common	-	-	-	-	I
Shield	F	F	G	F	F
Not Used	-	J	-	A,I,J	A

*To provide quick backup, jumper cable assembly pins E & J and C & I; then, if the primary output fails, move the connection from the primary to secondary connector.

MECHANICAL

Slew Speed: 3600 RPM
 Shaft Diameter: 5/8"
 Inertia: 285 gm- cm² max.
 Typical Starting Torque: 15 oz- in
 Bearings: Motor Duty Bearings
 Weight: 10 lbs.
 Shaft Loading: Radial: 45 lbs. overhung;
 Axial: 15 lbs.

ENVIRONMENTAL

Operating Temp. Range: 0 to 54 °C
 Enclosure Rating: NEMA 12 / IP54;
 NEMA 4 / IP66 with optional shaft seals

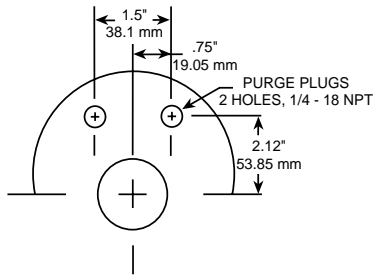
Ordering Information

To order, complete the model number with code numbers from the table below:

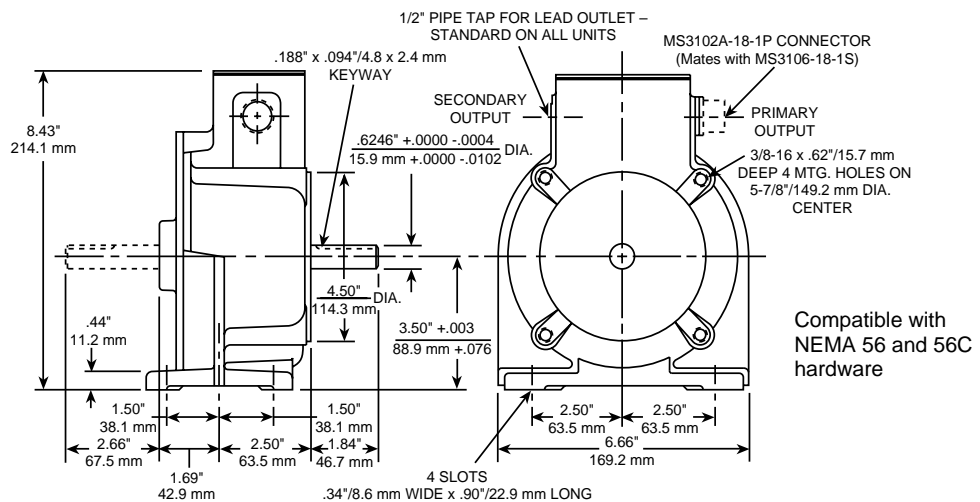
Code 1: Model	Code 2: Housing	Code 3: Shaft	Code 4: Output	Code 5: Voltage	Code 6: Pulses/Rev	Code 7: Wiring	Code 8: Misc
6 □	P □	□	□	F □	□ □ □ □	□	□
2 Bidirectional, Heavy Duty 3 Bidirectional with Marker, Heavy Duty	P Mill Duty	M 5/8" Dia, Single Shaft with Keyway N 5/8" Dia, Double Shaft with Keyway	D Differential E Single Ended K Single Ended, Dual Isolated, 6 and 7 pin connectors L Differential, Dual Isolated, 10 and 7 Pin Connectors Available when Code 1 is 62: M Differential, Dual Isolated, 10 and 10Pin Connectors	F 5 to 15 VDC	0001 0096 0360 0750 0002 0100 0375 0800 0004 0120 0382 0805 0005 0125 0384 0833 0006 0127 0390 0900 0010 0128 0400 1000 0012 0150 0402 1024 0015 0180 0430 1200 0018 0192 0450 1250 0020 0200 0500 1270 0025 0203 0508 1500 0040 0240 0512 1800 0045 0250 0530 2000 0050 0256 0550 2160 0060 0300 0600 2250 0064 0306 0625 2400 0090 0315 0720 2500	A MS Connector Available when Code 4 is D or E: T Terminal Strip	O No Purge Plugs, No Shaft Seals A Purge Plugs, No Shaft Seals B No Purge Plugs, Shaft Seals C Purge Plugs and Shaft Seals

DIMENSIONS inches [mm]

Purge Plug Location



Approximate Dimensions



Satellite Locations:

- **North America:** North Carolina, South Carolina, Connecticut, Massachusetts, New York, Canada, British Virgin Islands
- **West Indies:** St. Kitts • **Europe:** United Kingdom, Italy, France, Germany, Spain, Slovakia
- **South America:** Brazil • **Asia:** China, Japan, Korea, Singapore

Customer Service:

Tel.: +1.800.873.8731
Fax: +1.847.662.4150
custserv@dynapar.com

Technical Support

Tel.: +1.800.234.8731
Fax: +1.847.782.5277
northstar.techsupport@dynapar.com